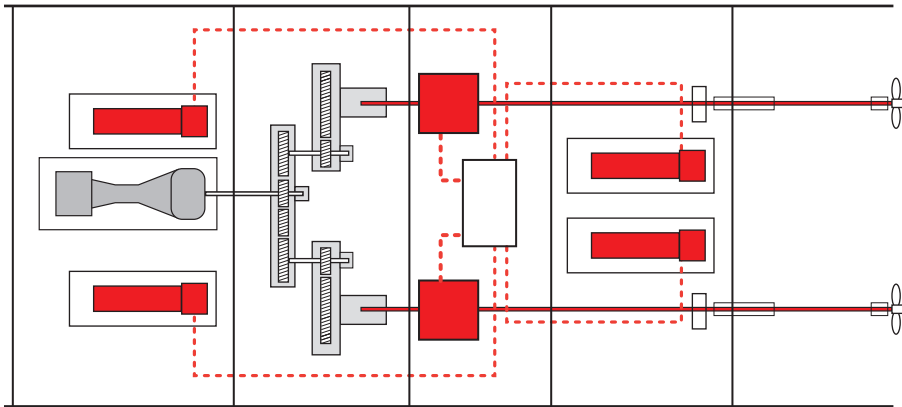


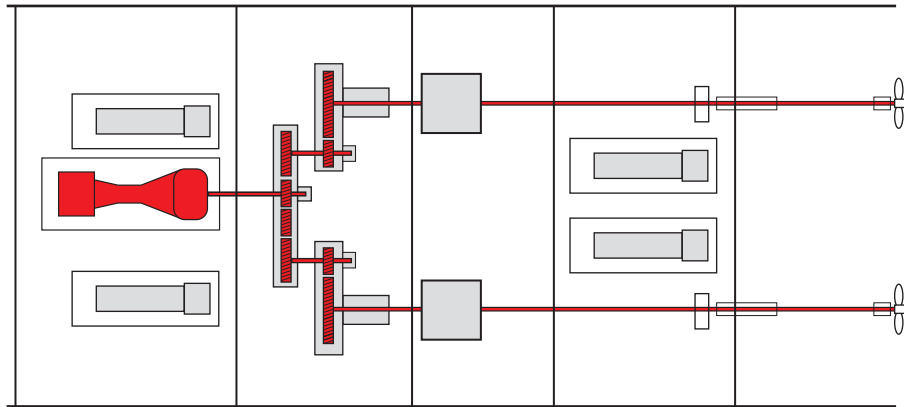
CODELOG Propulsion modes (Schematic - not to scale)

Diesel-electric mode (0-20 knots)



Current from up to 4 diesel generators supplied to induction motors via power converter

Gas turbine mode (20-28+ knots)



Single Gas turbine drives both shafts through gearboxes